

# Bosun Supplies

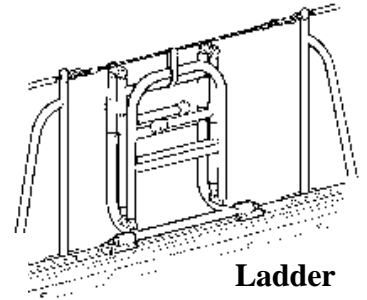
Stainless Steel Marine Hardware, Rigging & Fittings at Reasonable Prices

E-mail: Info@BosunSupplies.com  
Web: www.BosunSupplies.com

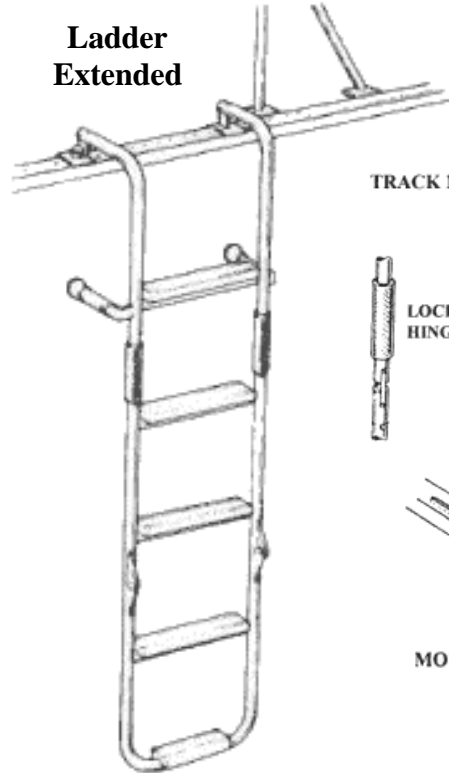
P.O. Box 1283  
Teaneck, New Jersey 07666  
Telephone (888) 433-3484 – Fax (201) 837-5999

## “The Amidship Ladder”

Made by Tops-In-Quality, this ladder has been reviewed by *Practical Sailor* and as they put it: “It’s been worth every penny”! This unique boarding ladder is made entirely of welded and polished marine grade 304 stainless steel and heavy 1” OD tubing. The standard tread width is 14” with wider or narrower available. The standard length of 56” is for boats with a freeboard amidships of 40”; this provides two steps underwater. The ladder mounts along the side of the boat to almost any rail or track, but also can come with its own deck mounts. It folds up out of the way in the gate, under the lifeline. Easily removable for storage or to move to the other side, but can be left in place. There are 5 tread options, but by far the most comfortable and safest are the PVC, PlasTEAK, & teak treads.



Ladder Extended

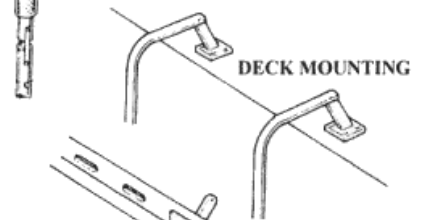


Ladder Stowed

TRACK MOUNTING

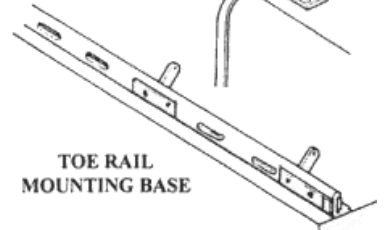


LOCKING HINGE



DECK MOUNTING

TOE RAIL MOUNTING BASE



*These Ladders are Custom Designed and Made for Your Boat!*

\*\* Also available in Type 316 stainless for an additional 20% charge.

Please complete the following and return to Bosun for a quote on your custom Amidship Ladder:

Name: \_\_\_\_\_

Address: \_\_\_\_\_

City: \_\_\_\_\_ State: \_\_\_\_\_ Zip: \_\_\_\_\_

Day Time Phone: \_\_\_\_\_

**OFFICE USE ONLY**

Customer No.: \_\_\_\_\_

Order No.: \_\_\_\_\_ Date: \_\_\_\_\_

Amidship ladders are designed to fit into a gate opening and are custom fitted to your boat. In heavy “seas”, boarding amidship is safer. Please complete the following dimensions.

### Dimensions:

D \_\_\_\_\_

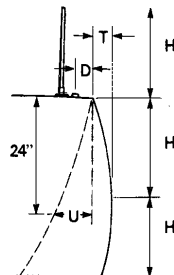
T \_\_\_\_\_

U \_\_\_\_\_

H<sub>1</sub> \_\_\_\_\_

H<sub>2</sub> \_\_\_\_\_

H<sub>L</sub> \_\_\_\_\_



### SPECIFICATIONS:

Tube size: Standard 1” (.065 Wall)

Tube alloy: Standard 304 \_\_\_ 316 \_\_\_

Type step: Standard \_\_\_ Flat \_\_\_

PVC \_\_\_ Plas Teak \_\_\_

Teak \_\_\_

Width: 14” Standard

Type of Mounting: Deck \_\_\_

Toe Rail \_\_\_

Track \_\_\_ Track Size \_\_\_

Price quoted for length.

20% Additional Charge for Type 316

*America’s Largest Selection*

*Superior Strength*

*Lifetime Guarantee*

*Hand Finished*